

DC Current Rating	25 A~65 A
DC Voltage Rating	1000V
Temperature Range	-40°C to +125°C
Flammability	UL94 V-0
Mating Cycle	Min. 500

## Features

IP67 Protection
HVIL
Touch Proof
Multi Polarization
2 & 4 Position Connections
Automatic Secondary Lock

# POWERLOK 4.0 UNSHIELDED TYPE

## Applications

- Electric air conditioning
- Battery pack
- High voltage power distribution
- DC/DC converter
- Electric heater
- On-board charger
- Electric power steering

## Ordering Code

### 2 Position Connectors

Current Rating	Cable Size	Polarization	Reference Plug P/N	Reference Mating Receptacle P/N	Application Specification
25 A	2.5 mm <sup>2</sup>	X	PL482X-61-2.5	PL082X-61-2.5	ATPI002
		Y	PL482Y-61-2.5	PL082Y-61-2.5	
		U	PL482U-61-2.5	PL082U-61-2.5	
35 A	4 mm <sup>2</sup>	X	PL482X-61-4	PL082X-61-4	ATPI002
		Y	PL482Y-61-4	PL082Y-61-4	
		U	PL482U-61-4	PL082U-61-4	
55 A	6 mm <sup>2</sup>	X	PL482X-61-6	PL082X-61-6	ATPI002
		Y	PL482Y-61-6	PL082Y-61-6	
		U	PL482U-61-6	PL082U-61-6	
65 A	10 mm <sup>2</sup>	X	PL482X-61-10	PL082X-61-10	ATPI002
		Y	PL482Y-61-10	PL082Y-61-10	
		U	PL482U-61-10	PL082U-61-10	

### 4 Position Connectors

Current Rating	Cable Size	Polarization	Reference Plug P/N	Reference Mating Receptacle P/N	Application Specification
25 A	2.5 mm <sup>2</sup>	X	PL484X-41-2.5	PL084X-41-2.5	ATPI002
		Y	PL484Y-41-2.5	PL084Y-41-2.5	
		U	PL484U-41-2.5	PL084U-41-2.5	
35 A	4 mm <sup>2</sup>	X	PL484X-41-4	PL084X-41-4	ATPI002
		Y	PL484Y-41-4	PL084Y-41-4	
		U	PL484U-41-4	PL084U-41-4	
55 A	6 mm <sup>2</sup>	X	PL484X-41-6	PL084X-41-6	ATPI002
		Y	PL484Y-41-6	PL084Y-41-6	
		U	PL484U-41-6	PL084U-41-6	

## Sealing Plugs

Part NO.	Cable Size	Application Specification
AC-CP000384	2.5 mm <sup>2</sup>	ATPI002
AC-CP000385	4mm <sup>2</sup>	
AC-CP000386	6mm <sup>2</sup>	

## Ordering Information

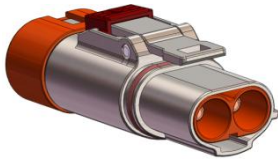
	(A) Product Type	(B) Connector Type	(C) Polarization & color	(D) Series	(E) Accepted Cable Size		
					Cable Size	Current Rating	
PL	<b>POWERLOK 4.0</b>	082 2POS Receptacle	X Key "X" Orange	60 60 Series	2.5	2.5 mm <sup>2</sup>	25 A
		482 2POS Plug Connector, Straight	Y Key "Y" Black	61 60 Series with HVIL	4	4 mm <sup>2</sup>	35 A
		084 4POS Receptacle	U Key "U" Yellow	40 40 Series	6	6 mm <sup>2</sup>	55 A
		484 4POS Plug Connector, Straight		41 40 Series with HVIL	10	10 mm <sup>2</sup>	65 A

# POWERLOK 4.0

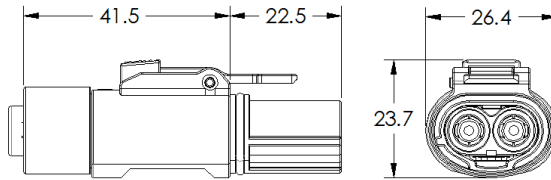
## UNSHIELDED TYPE

### Dimensions

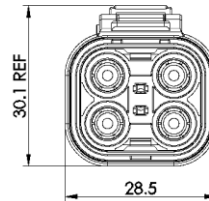
#### Plug Dimensions



2 Position Plug



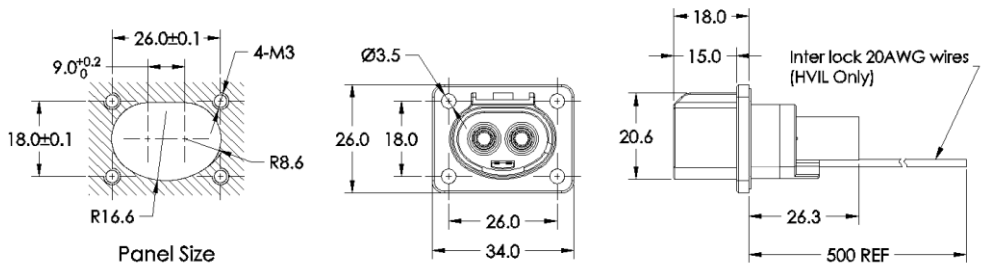
4 Position Plug



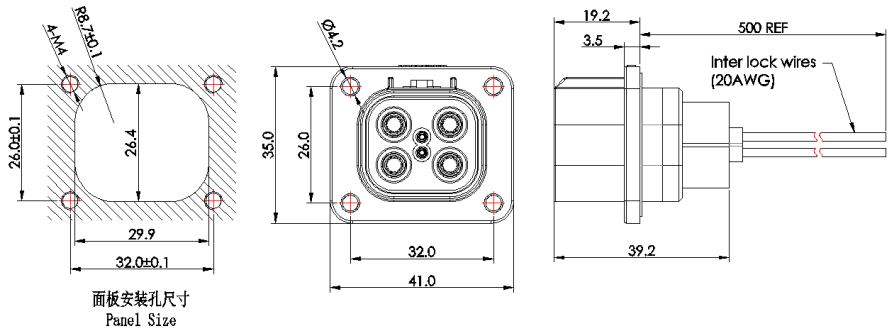
#### Receptacle Dimensions



2 Position Receptacle



4 Position Receptacle



Notice: Specifications are subject to change without notice. Contact your nearest Amphenol Corporation Sales Office for the latest specifications. All statements, information and data given herein are believed to be accurate and reliable but are presented without guarantee, warranty, or responsibility of any kind, expressed or implied. Statements of suggestions concerning possible use of our products are made without representation or warranty that any such use is free of patent infringement and are not recommendations to infringe any patent. The user should assume that all safety measures are indicated or that other measures may not be required. Specifications are typical and may not apply to all connectors. AMPHENOL is a registered trademark of Amphenol Corporation.

For further information on your individual application requirements, contact: Amphenol Corporation

**Amphenol Technical Products International Co.**  
2110 Notre Dame Avenue Winnipeg, MB Canada R3H 0K1  
Telephone: 1-204-697-2222  
Fax: 1-204-694-6164  
www.tpii.com

**Amphenol Sincere Flex Circuits Co., Ltd.**  
No. A, WanAn Industrial Park LanHe Town, Nansha District, Guangzhou - China 511480  
Telephone: 86-20-3483-9801  
Fax: 86-20-3483-9800  
www.amphenol-tpi.com

**Amphenol Industrial Operations**  
40-60 Delaware Street Sindy, New York 13838-1395 - USA  
Telephone: 020-3483-9801  
Fax: 020-3483-9800  
www.amphenol-industrial.com