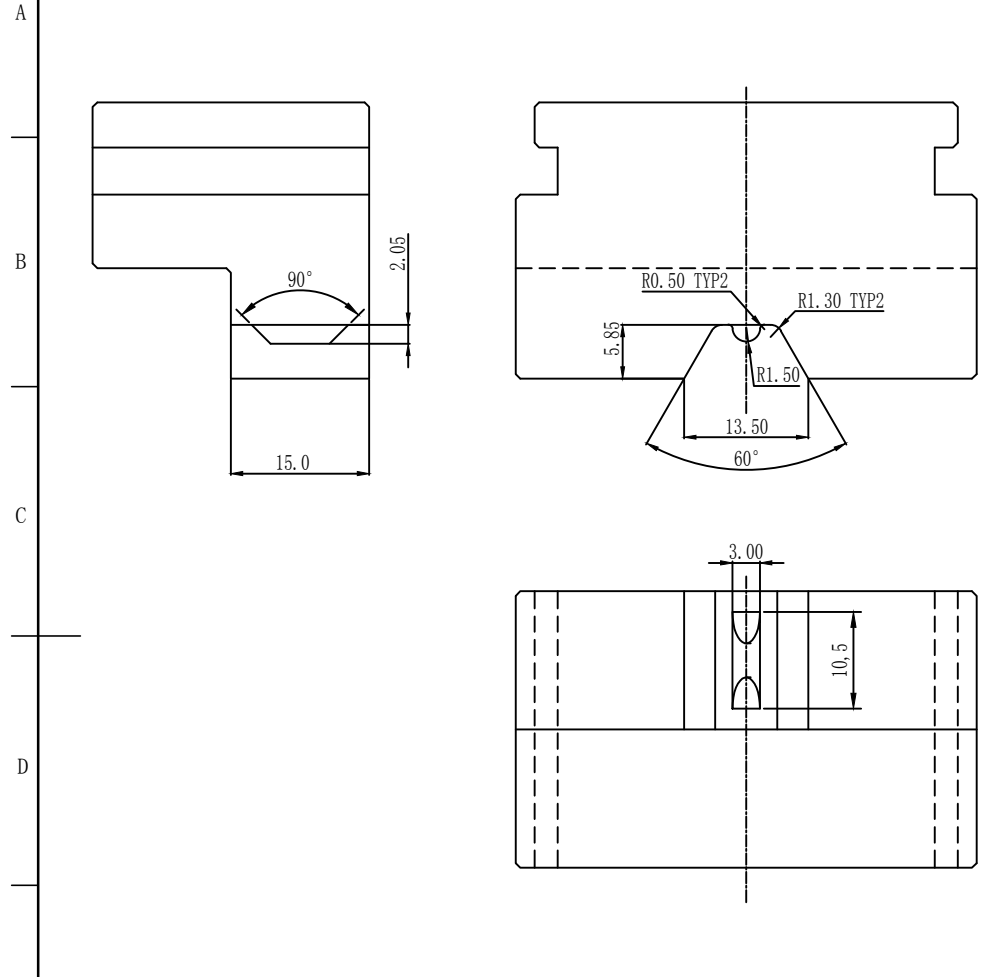
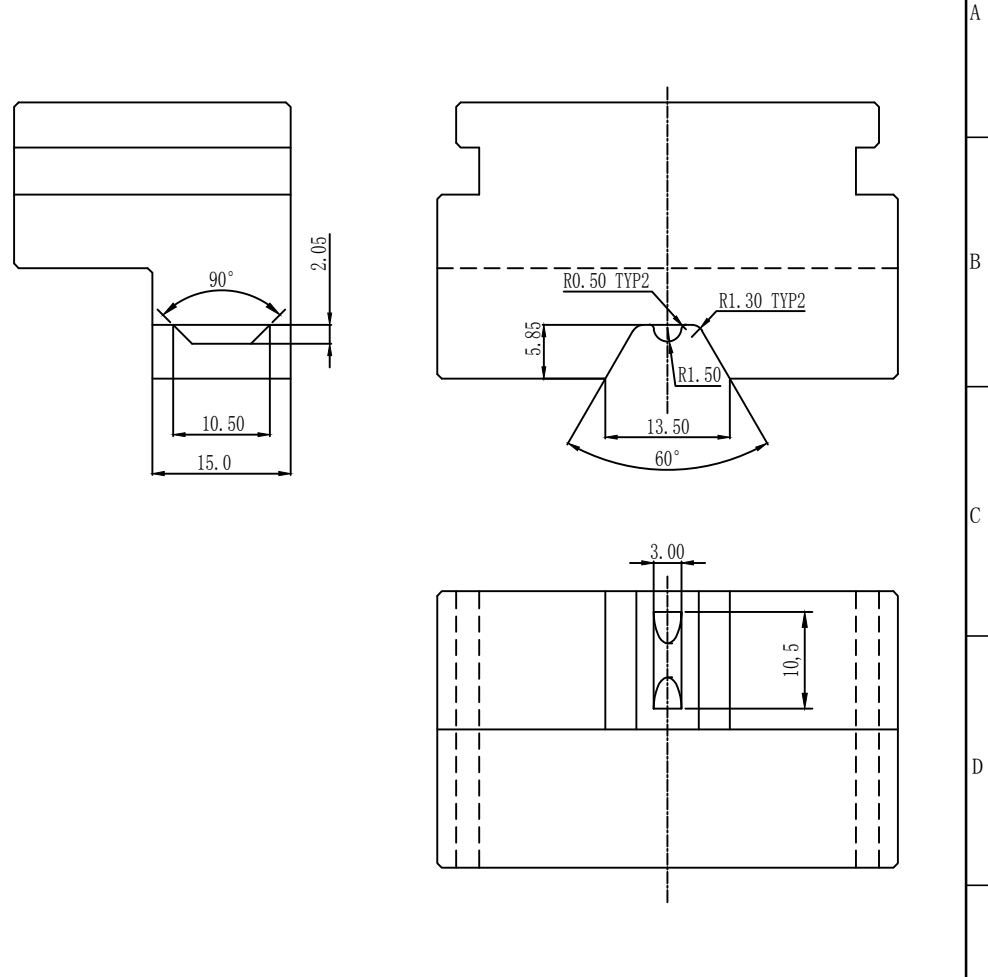


THIS DRAWING IS SUPPLIED FOR INFORMATION ONLY. DESIGN FEATURES, SPECIFICATIONS AND PERFORMANCE DATA SHOWN HEREON ARE THE PROPERTY OF THE AMPHENOL CORPORATION. NO RIGHTS OF REPRODUCTION ARE IMPLIED. ALL DIMENSIONS ARE SUBJECT TO NORMAL MANUFACTURING VARIATIONS.

REVISIONS					
REV	ECN	DESCRIPTION	BY	APPR	DATE
01	--	INITIAL RELEASE	Jenson	Bill	03/06/2019



upper die
上模



lower die
下模

	Amphenol Technical Products International GZ					PART NAME:	
	第三角投影 THIRD ANGLE PROJECTION	页面 SHEET 1 of 1	幅面 SIZE A4	版次 REV. 01	比例 SCALE --	Crimping die for the 50mm ² cable of Gen I	
签名 SIGNATURE Jenson	日期 DATE 03/06/2019	UNLESS OTHERWISE SPECIFIED 1) All dimensions are in metric(mm). 2) Tolerances are as follows: 1 PL DEC ±0.05 2 PL DEC ±0.02 3 PL DEC ±0.01			DWG NO: L113130150050		
制图 DRAWN	审核 CHECKED	批准 APPROVAL	Surf texture: 1.6 ✓ Angles ±30°		CUST PART #: --	CUST REV. --	